

## Description

Cirrus model CLS1-WPS wire probe sensors are one of the most versatile used economical level sensors for conductive liquid level sensing. These sensors are point level sensing electrode probe units. The sensors have solid SS probes hermetically moulded with wire cable. Suitable length wire cables are provided to hang the sensor probes by them.

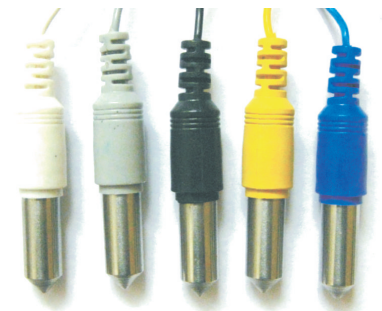
The sensors inherits the feature of moulded integral wire enhancing the sensing and working durability of sensors. The sensors are manufactured in different colours for distinction of each sensor. These sensing probes are used with various Cirrus level controllers (viz. CLS-2CD, CLA3-L, CLA3-PLC)\*.

Application : Water and general conductive liquids.



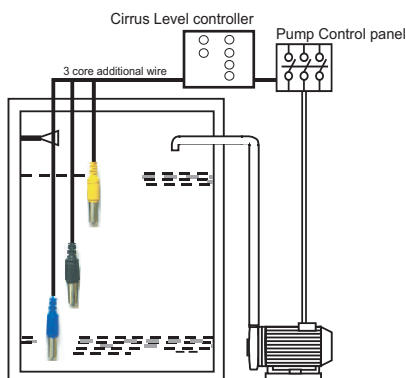
## Technical Specification

MODEL	CLS2-WPS
Cable	5 m length standard / other (special qty order)
Probe	Stainless Steel solid probe, SS 304
Wire	Single core
Mounting	Cable Hanging

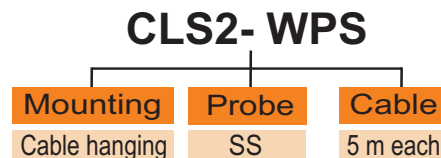


Packing box

## Application



## Model Code



(\* Optional Cirrus Level controllers are available for above level sensors. Please contact us for prices)

Purchaser to check the qty of sensors required as per application.  
3-5 nos. wire probe sensors are required in each tank for different level sensing.  
(Optional cable length at special pre-order is available for bulk quantity.)

Contact us for other models & specifications not listed here.  
Due to product enhancement technical specification may vary



## CIRRUS ENGINEERING & SERVICES PVT. LTD.

A-79, 2nd Floor, Vishal Market, Tagore Garden Extn., New Delhi - 110027  
Tel # 011- 45613858, 20902218  
Fax # 011- 45613858  
E-mail # cirrusinfo@gmail.com  
# cirrusinfo@cirrusindia.co.in

Regional office.:  
509, DDA Building -1, District Centre,  
Janakpuri, New Delhi - 110058

**ISO9001:2008 certified**

WWW.CIRRUSINDIA.CO.IN

**Cirrus**